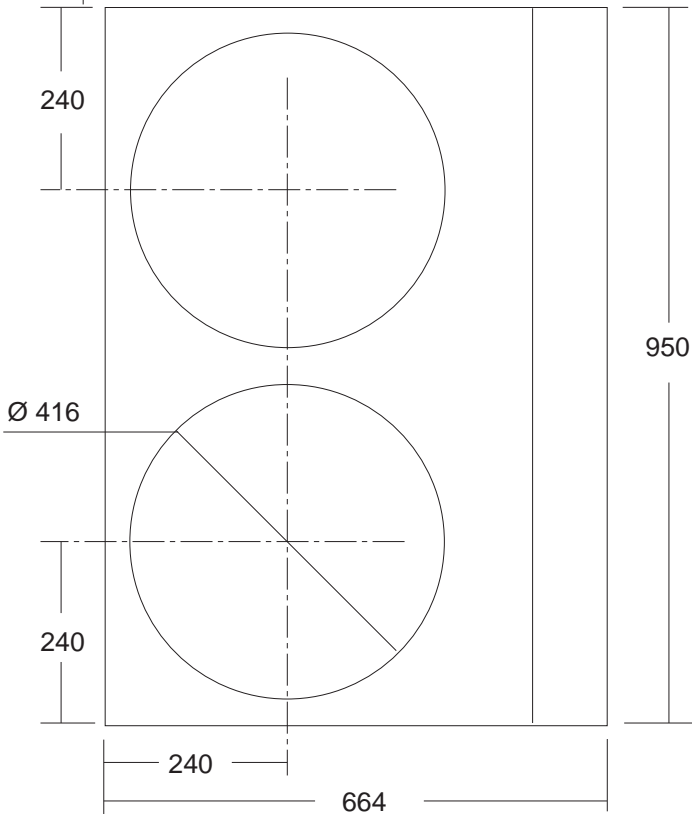
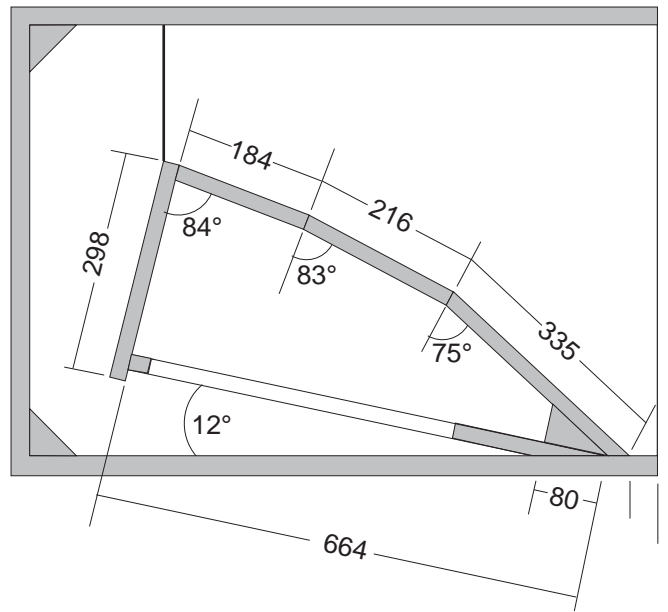
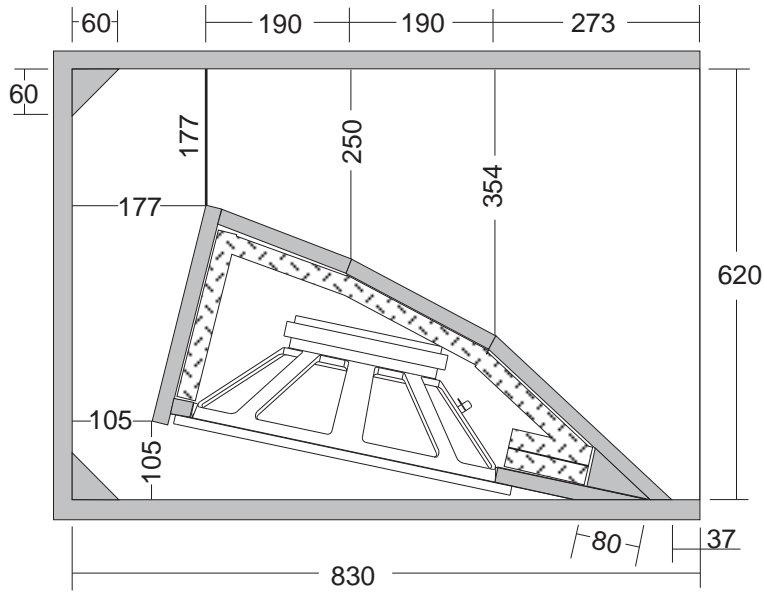


# BT010 LOW FREQUENCY HORN BOX

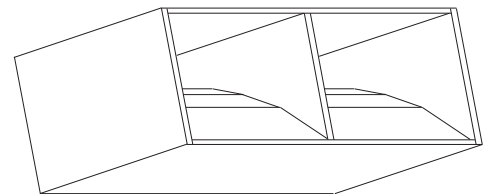
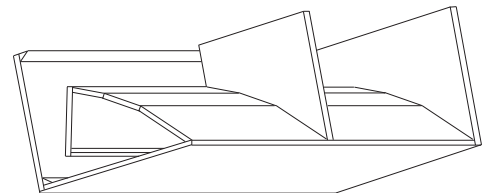


## COMPONENTS

L F	18.75 W	18.00 W3
Max Power	1600 W	2000 W
Nominal Power	800 W	1000 W
Impedance	8 Ω	

## SPECIFICATIONS

Solid angle radiation	: $\pi/2$	sterad
Horn cut off frequency	: 50	Hz
Sensitivity 1W/1m	: 105	dB
Frequency range	: 20 ÷ 250	Hz



## FREQUENCY RESPONSE (1W/1m)

